

4566

Beryllium side window proportional counter

GENERAL SPECIFICATIONS

MAXIMUM LENGTH (INCH/MM)	5.4/137.2
MAXIMUM DIAMETER (INCH/MM)	1.0/25.4
GAS FILLING	Xenon
EFFECTIVE LENGTH (INCH/MM)	2.69/68.3
CATHODE MATERIAL (INTERNAL/EXTERNAL)	Aluminum
EFFECTIVE DIAMETER (INCH/MM)	0.78/19.8
CONNECTOR	MHV
OPERATING TEMPERATURE RANGE °C	-40 to +75
GAS PRESSURE (TORR)	800
PATH LENGTH (INCH/MM)	0.78/19.8

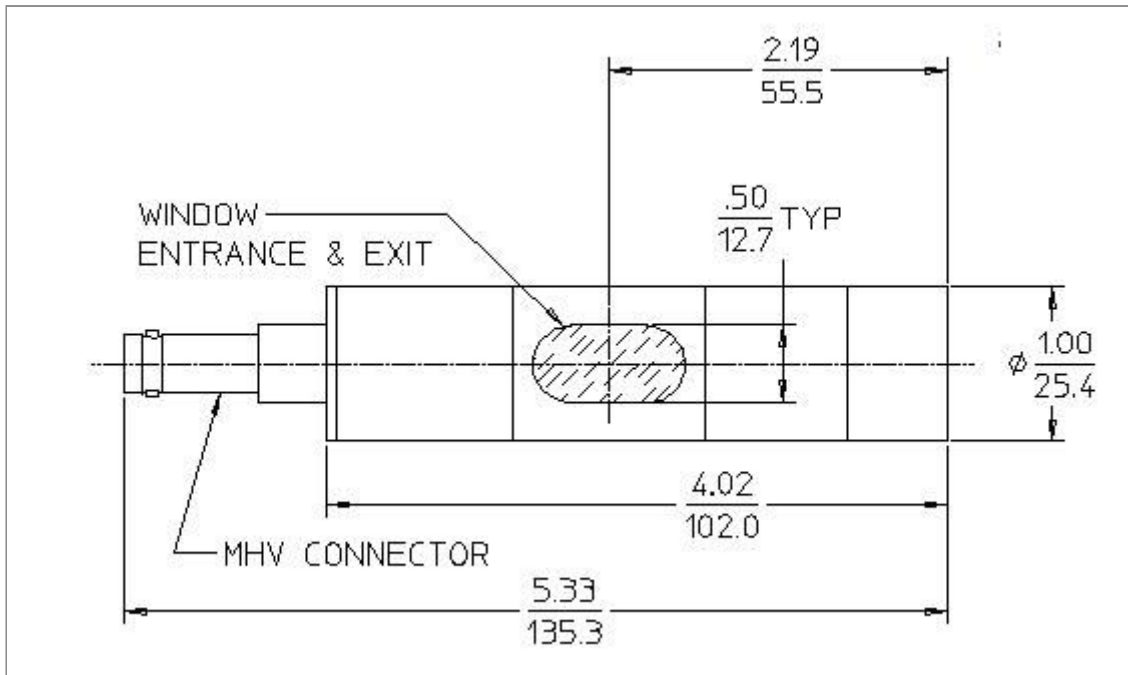
WINDOW SPECIFICATIONS

MATERIAL	Beryllium
-----------------	-----------

THICKNESS (INCH/MM)	0.002/0.05
AREAL DENSITY (MG/CM²)	9.2
DIMENSIONS (INCH/MM)	0.5 x 1.0/12.7 x 25.4

ELECTRICAL SPECIFICATIONS

RECOMMENDED OPERATING VOLTAGE (VOLTS)	1850
OPERATING VOLTAGE RANGE (VOLTS)	1750 - 2000
CAPACITANCE (PF)	3
TYPICAL RESOLUTION (FWHM FE55)	18



LND 4566 BERYLLIUM SIDE WINDOW P.C.

