

# 4565

Beryllium side window proportional counter

## GENERAL SPECIFICATIONS

<b>MAXIMUM LENGTH (INCH/MM)</b>	4.41/111.9
<b>MAXIMUM DIAMETER (INCH/MM)</b>	1.305/33.1
<b>GAS FILLING</b>	Xenon
<b>EFFECTIVE LENGTH (INCH/MM)</b>	3.0/76.2
<b>CATHODE MATERIAL (INTERNAL/EXTERNAL)</b>	Aluminum
<b>EFFECTIVE DIAMETER (INCH/MM)</b>	1.062/26.9
<b>CONNECTOR</b>	Grid Cap
<b>OPERATING TEMPERATURE RANGE °C</b>	-40 to +75
<b>GAS PRESSURE (TORR)</b>	255
<b>PATH LENGTH (INCH/MM)</b>	1.062/26.9

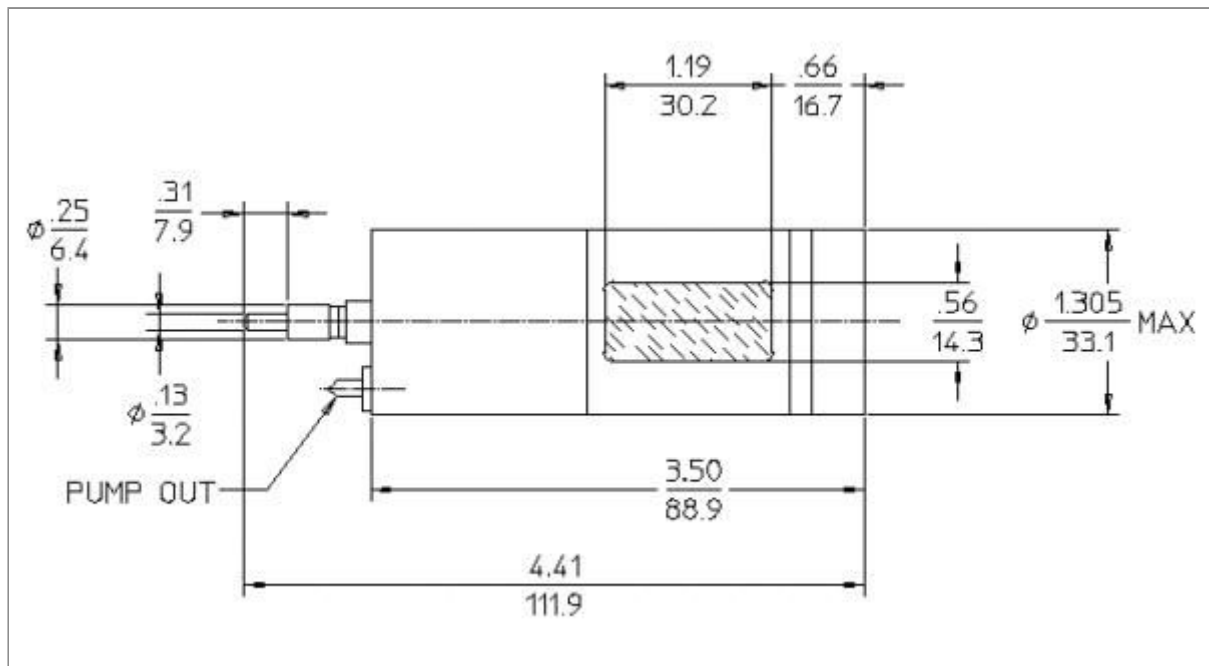
## WINDOW SPECIFICATIONS

<b>MATERIAL</b>	Beryllium
-----------------	-----------

<b>THICKNESS (INCH/MM)</b>	0.005/0.127
<b>AREAL DENSITY (MG/CM<sup>2</sup>)</b>	23
<b>DIMENSIONS (INCH/MM)</b>	1.19 x 0.56/30.2 x 14.2

## ELECTRICAL SPECIFICATIONS

<b>RECOMMENDED OPERATING VOLTAGE (VOLTS)</b>	1200
<b>OPERATING VOLTAGE RANGE (VOLTS)</b>	1100 - 1350
<b>CAPACITANCE (PF)</b>	3
<b>TYPICAL RESOLUTION (FWHM FE55)</b>	18



LND 4565 BERYLLIUM SIDE WINDOW P.C.

