

4562

Beryllium side window proportional counter

GENERAL SPECIFICATIONS

| | |
|---|------------|
| MAXIMUM LENGTH (INCH/MM) | 3.0/76.2 |
| MAXIMUM DIAMETER (INCH/MM) | 1.13/28.7 |
| GAS FILLING | Xenon |
| EFFECTIVE LENGTH (INCH/MM) | 1.98/50.3 |
| CATHODE MATERIAL (INTERNAL/EXTERNAL) | Aluminum |
| EFFECTIVE DIAMETER (INCH/MM) | 0.79/20.1 |
| CONNECTOR | Pin |
| OPERATING TEMPERATURE RANGE °C | -40 to +75 |
| GAS PRESSURE (TORR) | 430 |
| PATH LENGTH (INCH/MM) | 0.79/20.1 |

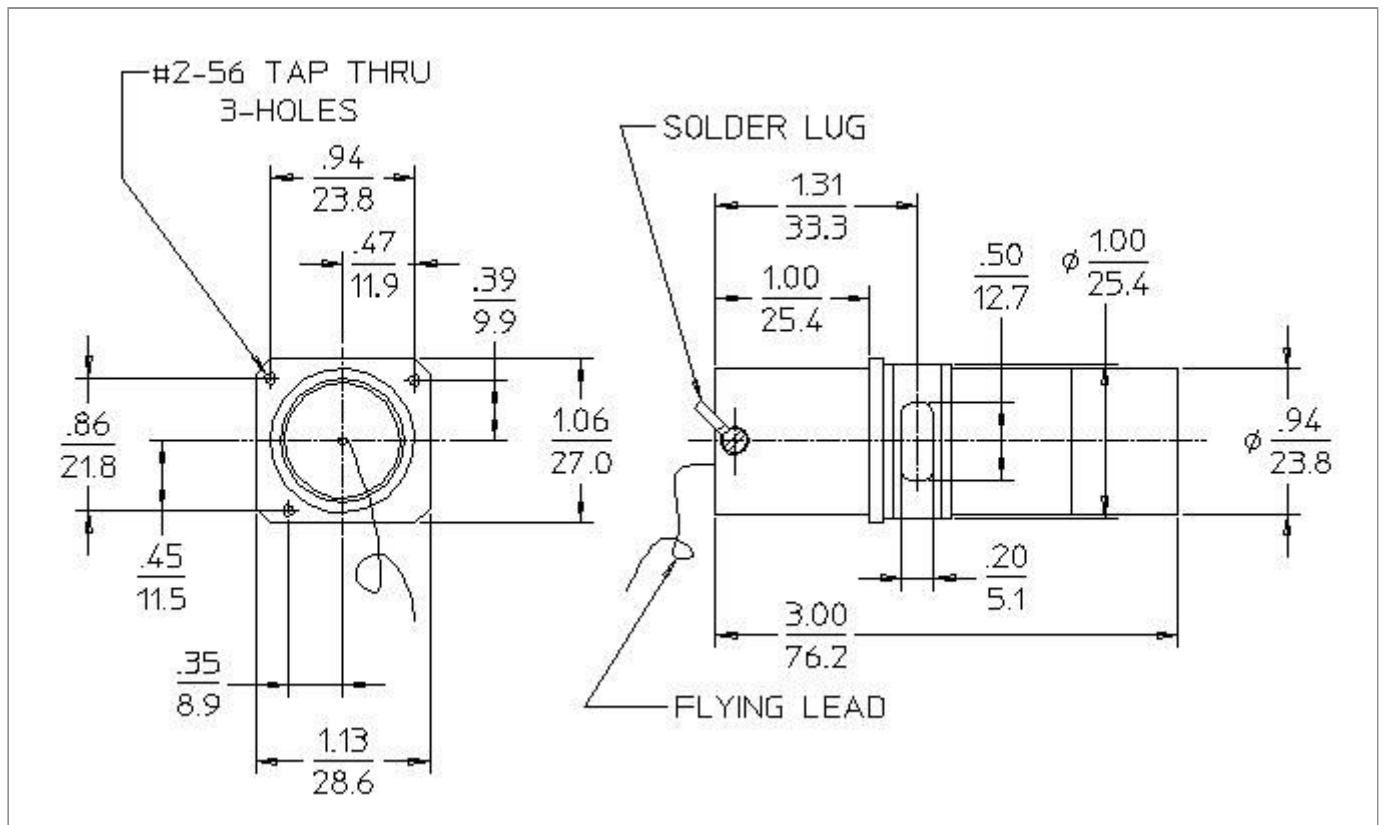
WINDOW SPECIFICATIONS

| | |
|-----------------|-----------|
| MATERIAL | Beryllium |
|-----------------|-----------|

| | |
|-------------------------------------|------------------------|
| THICKNESS (INCH/MM) | 0.002/0.05 |
| AREAL DENSITY (MG/CM ²) | 9.2 |
| DIMENSIONS (INCH/MM) | 0.20 x 0.50/5.1 X 12.7 |

ELECTRICAL SPECIFICATIONS

| | |
|---------------------------------------|-------------|
| RECOMMENDED OPERATING VOLTAGE (VOLTS) | 1800 |
| OPERATING VOLTAGE RANGE (VOLTS) | 1700 - 1950 |
| CAPACITANCE (PF) | 3 |
| TYPICAL RESOLUTION (FWHM FE55) | 18 |



LND 4562 BERYLLIUM SIDE WINDOW P.C.

