

456

Beryllium side window proportional counter

GENERAL SPECIFICATIONS

MAXIMUM LENGTH (INCH/MM)	3.84/97.5
MAXIMUM DIAMETER (INCH/MM)	1.0/25.4
GAS FILLING	Xenon
EFFECTIVE LENGTH (INCH/MM)	2.34/59.4
CATHODE MATERIAL (INTERNAL/EXTERNAL)	Aluminum
EFFECTIVE DIAMETER (INCH/MM)	0.78/19.8
CONNECTOR	Grid Cap
OPERATING TEMPERATURE RANGE °C	-40 to +75
GAS PRESSURE (TORR)	800
PATH LENGTH (INCH/MM)	0.78/19.8

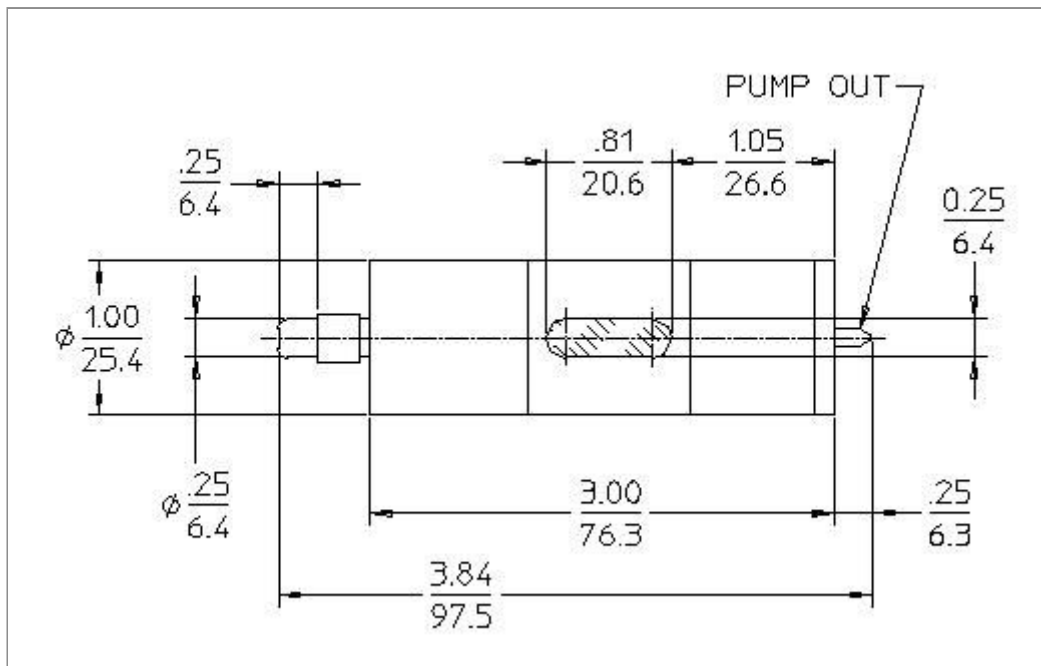
WINDOW SPECIFICATIONS

MATERIAL	Beryllium
-----------------	-----------

THICKNESS (INCH/MM)	0.002/0.05
AREAL DENSITY (MG/CM ²)	9.2
DIMENSIONS (INCH/MM)	0.25 x 0.82/6.4 x 20.8

ELECTRICAL SPECIFICATIONS

RECOMMENDED OPERATING VOLTAGE (VOLTS)	1800
OPERATING VOLTAGE RANGE (VOLTS)	1700 - 1950
CAPACITANCE (PF)	3
TYPICAL RESOLUTION (FWHM FE55)	18



LND 456 BERYLLIUM SIDE WINDOW P.C.

