

# 4549

Dual beryllium side window proportional counter

## GENERAL SPECIFICATIONS

|   |            |
|---|------------|
| <b>MAXIMUM LENGTH (INCH/MM)</b>             | 7.02/178.4 |
| <b>MAXIMUM DIAMETER (INCH/MM)</b>           | 2.00/50.8  |
| <b>GAS FILLING</b>                          | Krypton    |
| <b>EFFECTIVE LENGTH (INCH/MM)</b>           | 4.5/114.3  |
| <b>CATHODE MATERIAL (INTERNAL/EXTERNAL)</b> | Aluminum   |
| <b>EFFECTIVE DIAMETER (INCH/MM)</b>         | 1.88/47.8  |
| <b>CONNECTOR</b>                            | MHV        |
| <b>OPERATING TEMPERATURE RANGE °C</b>       | -40 to +75 |
| <b>GAS PRESSURE (TORR)</b>                  | 800        |
| <b>PATH LENGTH (INCH/MM)</b>                | 1.88/47.8  |

## ELECTRICAL SPECIFICATIONS

|  |      |
|--|------|
| <b>RECOMMENDED OPERATING VOLTAGE (VOLTS)</b> | 1800 |
|--|------|

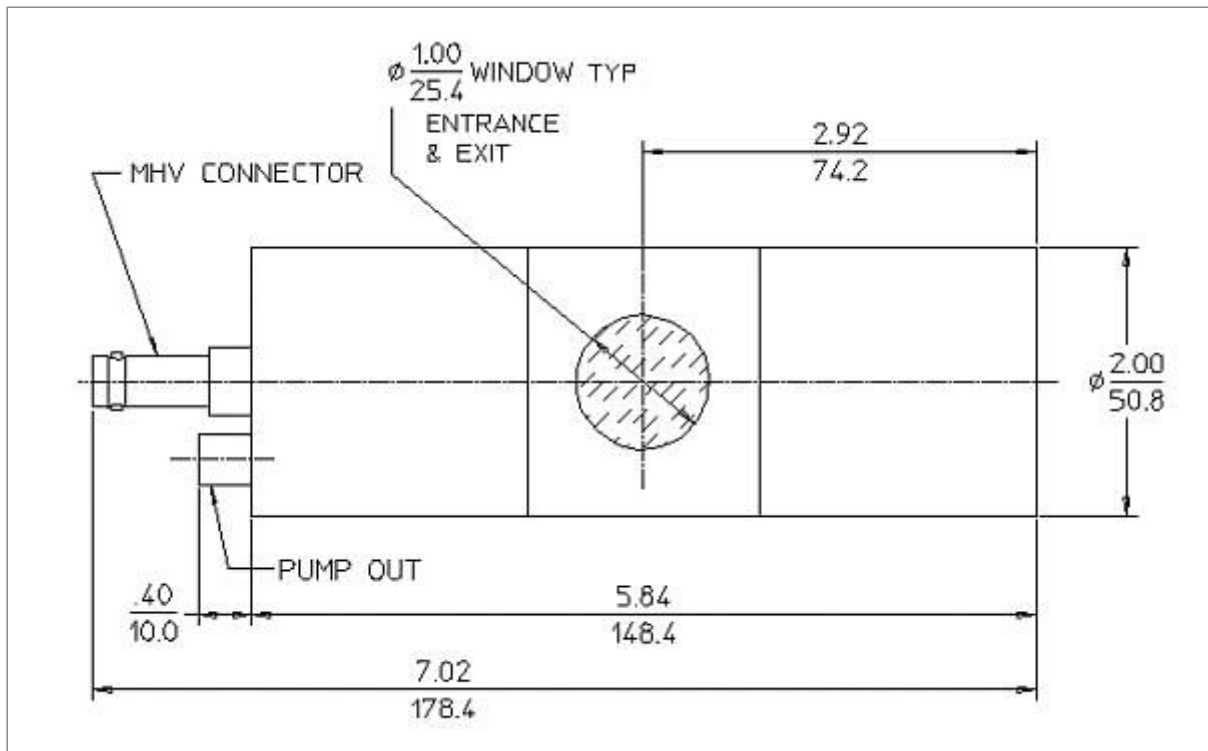
|                                 |             |
|---------------------------------|-------------|
| OPERATING VOLTAGE RANGE (VOLTS) | 1700 - 1950 |
| CAPACITANCE (PF)                | 3           |
| TYPICAL RESOLUTION (FWHM CD109) | 10          |

## EXIT WINDOW SPECIFICATIONS

|                                     |             |
|-------------------------------------|-------------|
| MATERIAL                            | Beryllium   |
| AREAL DENSITY (MG/CM <sup>2</sup> ) | 23          |
| THICKNESS (INCH/MM)                 | 0.005/0.127 |
| DIAMETER (INCH/MM)                  | 1.0/25.4    |

## ENTRANCE WINDOW SPECIFICATIONS

|                                     |             |
|-------------------------------------|-------------|
| MATERIAL                            | Beryllium   |
| AREAL DENSITY (MG/CM <sup>2</sup> ) | 23          |
| THICKNESS (INCH/MM)                 | 0.005/0.127 |
| DIAMETER (INCH/MM)                  | 1.0/25.4    |



LND 4549 DUAL BERYLLIUM SIDE WINDOW P.C.

