

# 45432

Beryllium side window proportional counter



## GENERAL SPECIFICATIONS

<b>MAXIMUM LENGTH (INCH/MM)</b>	8.01/203.5
<b>MAXIMUM DIAMETER (INCH/MM)</b>	2.00/50.8
<b>GAS FILLING</b>	Xenon
<b>EFFECTIVE LENGTH (INCH/MM)</b>	5.58/141.7
<b>CATHODE MATERIAL (INTERNAL/EXTERNAL)</b>	Aluminum
<b>EFFECTIVE DIAMETER (INCH/MM)</b>	1.88/47.8
<b>CONNECTOR</b>	MHV
<b>OPERATING TEMPERATURE RANGE °C</b>	-40 to +75
<b>GAS PRESSURE (TORR)</b>	800

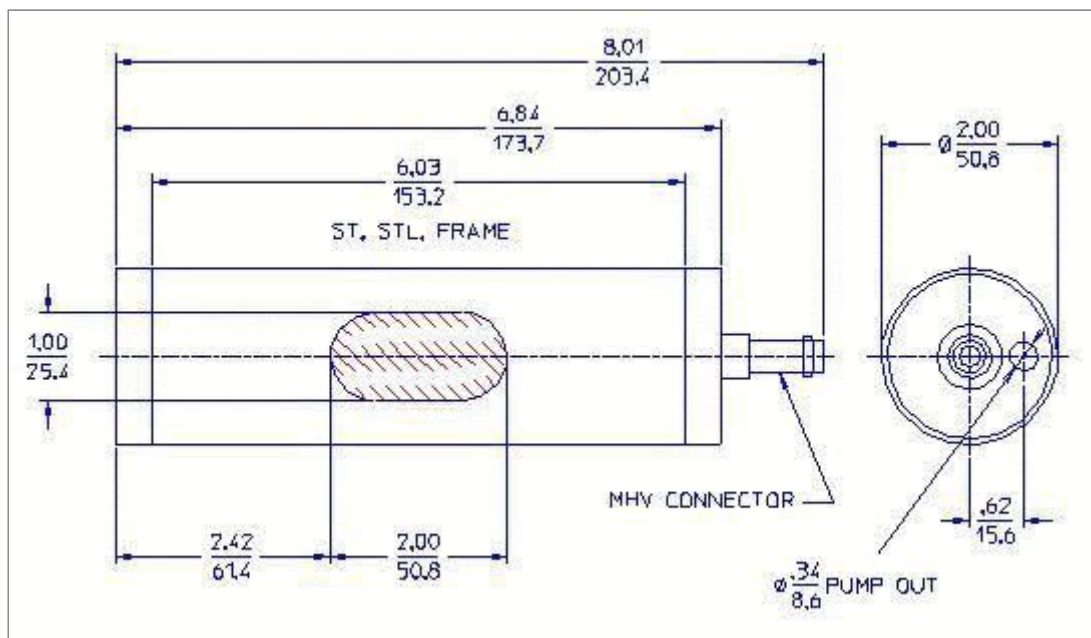
PATH LENGTH (INCH/MM)	1.88/47.8
-----------------------	-----------

## WINDOW SPECIFICATIONS

MATERIAL	Beryllium
THICKNESS (INCH/MM)	0.005/0.127
AREAL DENSITY (MG/CM <sup>2</sup> )	23
DIMENSIONS (INCH/MM)	1.0 x 2.0/25.4 x 50.8

## ELECTRICAL SPECIFICATIONS

RECOMMENDED OPERATING VOLTAGE (VOLTS)	2000
OPERATING VOLTAGE RANGE (VOLTS)	1900 - 2150
CAPACITANCE (PF)	3
TYPICAL RESOLUTION (FWHM CD109)	10



LND 45432 BERYLLIUM SIDE WINDOW P.C.



