

45431

Beryllium side window proportional counter

GENERAL SPECIFICATIONS

MAXIMUM LENGTH (INCH/MM)	7.02/178.4
MAXIMUM DIAMETER (INCH/MM)	2.00/50.8
GAS FILLING	Krypton
EFFECTIVE LENGTH (INCH/MM)	4.5/114.3
CATHODE MATERIAL (INTERNAL/EXTERNAL)	Aluminum
EFFECTIVE DIAMETER (INCH/MM)	1.88/47.8
CONNECTOR	MHV
OPERATING TEMPERATURE RANGE °C	-40 to +75
GAS PRESSURE (TORR)	800
PATH LENGTH (INCH/MM)	1.88/47.8

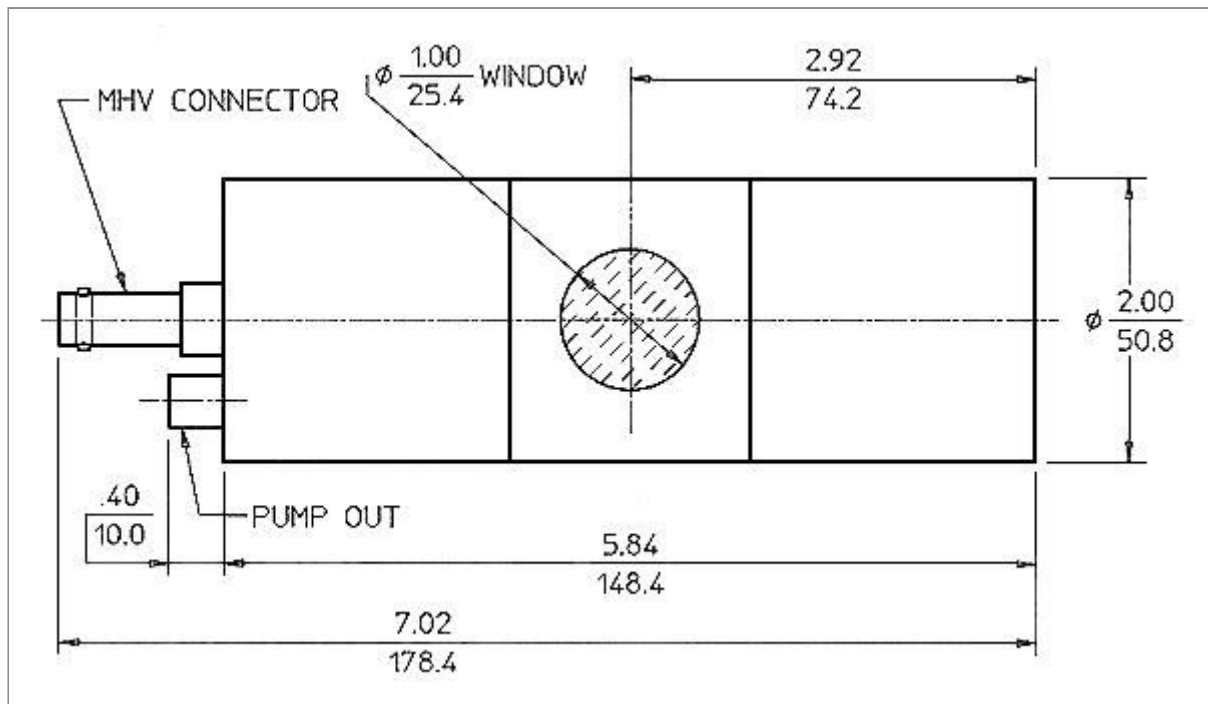
WINDOW SPECIFICATIONS

MATERIAL	Beryllium
-----------------	-----------

THICKNESS (INCH/MM)	0.005/0.127
AREAL DENSITY (MG/CM ²)	23
DIAMETER (INCH/MM)	1.0/25.4

ELECTRICAL SPECIFICATIONS

RECOMMENDED OPERATING VOLTAGE (VOLTS)	1800
OPERATING VOLTAGE RANGE (VOLTS)	1700 - 1950
CAPACITANCE (PF)	3
TYPICAL RESOLUTION (FWHM CD109)	10



LND 45431 BERYLLIUM SIDE WINDOW P.C.

