

452

Beryllium window proportional counter

GENERAL SPECIFICATIONS

MAXIMUM LENGTH (INCH/MM)	4.53/115.0
MAXIMUM DIAMETER (INCH/MM)	1.0/25.4
GAS FILLING	Argon
EFFECTIVE LENGTH (INCH/MM)	1.39/35.3
CATHODE MATERIAL (INTERNAL/EXTERNAL)	Aluminum
EFFECTIVE DIAMETER (INCH/MM)	0.82/20.8
CONNECTOR	MHV
OPERATING TEMPERATURE RANGE °C	-40 to +75
GAS PRESSURE (TORR)	800
PATH LENGTH (INCH/MM)	0.82/20.8

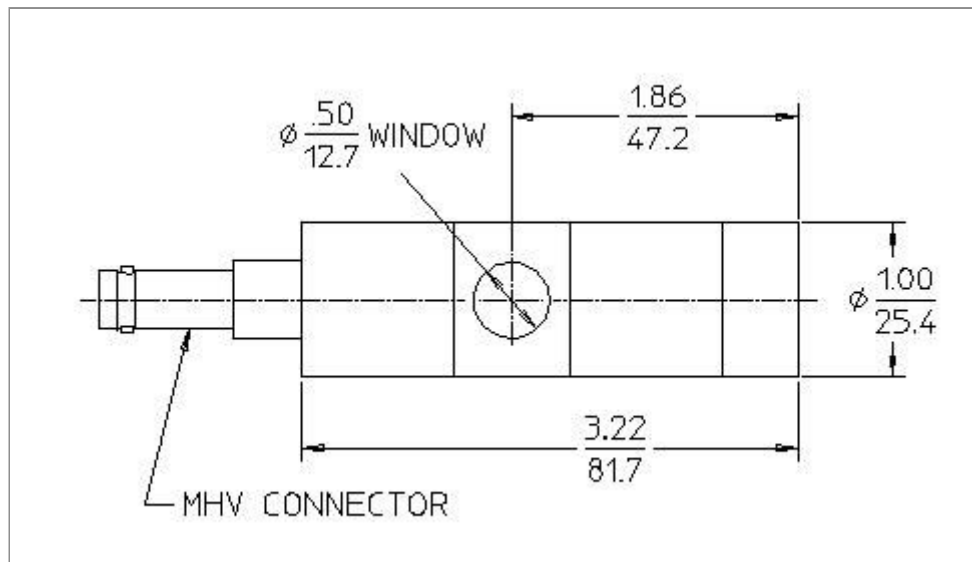
WINDOW SPECIFICATIONS

MATERIAL	Beryllium
-----------------	-----------

THICKNESS (INCH/MM)	0.002/0.05
AREAL DENSITY (MG/CM ²)	9.2
DIAMETER (INCH/MM)	0.5/12.7

ELECTRICAL SPECIFICATIONS

RECOMMENDED OPERATING VOLTAGE (VOLTS)	1600
OPERATING VOLTAGE RANGE (VOLTS)	1500 - 1750
CAPACITANCE (PF)	3
TYPICAL RESOLUTION (FWHM FE55)	18



LND 452 BERYLLIUM WINDOW P.C.

