

# 4511

Beryllium side window proportional counter

## GENERAL SPECIFICATIONS

<b>MAXIMUM LENGTH (INCH/MM)</b>	7.22/183.4
<b>MAXIMUM DIAMETER (INCH/MM)</b>	2.0/50.8
<b>GAS FILLING</b>	Krypton
<b>EFFECTIVE LENGTH (INCH/MM)</b>	4.5/114.3
<b>CATHODE MATERIAL (INTERNAL/EXTERNAL)</b>	Aluminum
<b>EFFECTIVE DIAMETER (INCH/MM)</b>	1.88/47.8
<b>CONNECTOR</b>	MHV
<b>OPERATING TEMPERATURE RANGE °C</b>	-40 to +75
<b>GAS PRESSURE (TORR)</b>	760
<b>PATH LENGTH (INCH/MM)</b>	1.88/47.8

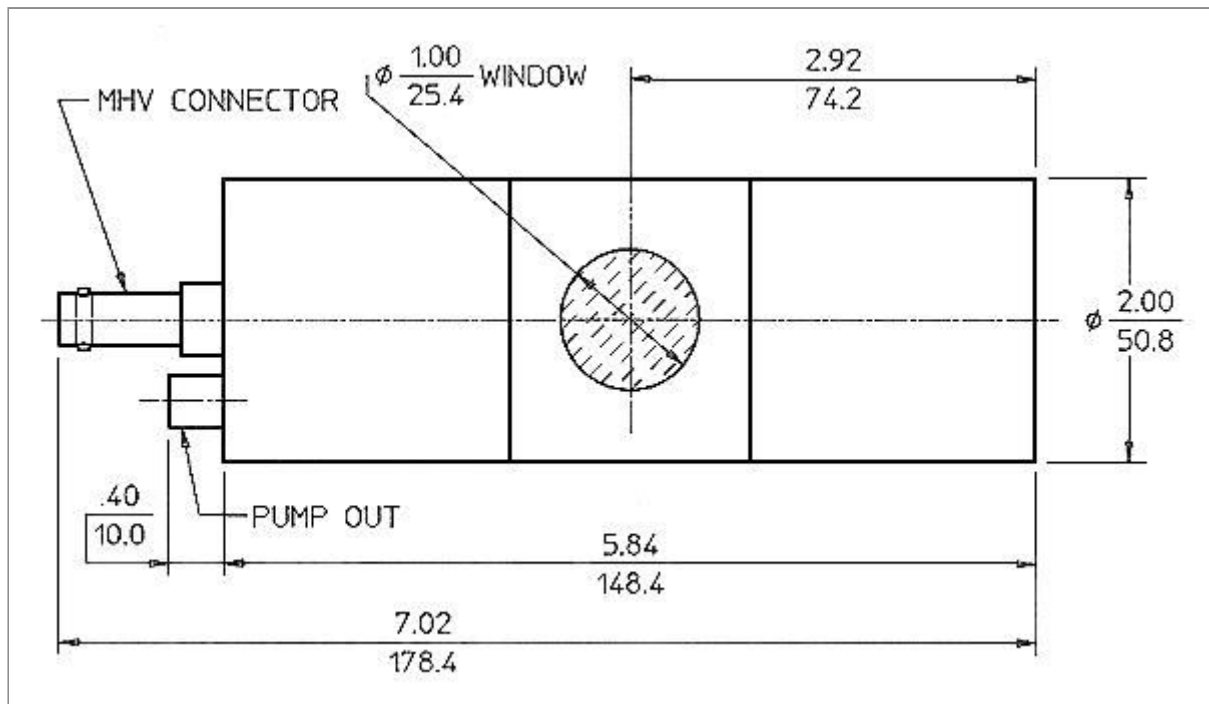
## WINDOW SPECIFICATIONS

<b>MATERIAL</b>	Beryllium
-----------------	-----------

THICKNESS (INCH/MM)	0.002/0.05
AREAL DENSITY (MG/CM <sup>2</sup> )	9.2
DIAMETER (INCH/MM)	1.0/25.4

## ELECTRICAL SPECIFICATIONS

RECOMMENDED OPERATING VOLTAGE (VOLTS)	2050
OPERATING VOLTAGE RANGE (VOLTS)	1950 - 2200
CAPACITANCE (PF)	3
TYPICAL RESOLUTION (FWHM CD109)	10



LND 4511 BERYLLIUM SIDE WINDOW P.C.

