

451

Beryllium side window proportional counter

GENERAL SPECIFICATIONS

MAXIMUM LENGTH (INCH/MM)	7.02/178.4
MAXIMUM DIAMETER (INCH/MM)	2.00/50.8
GAS FILLING	Argon
EFFECTIVE LENGTH (INCH/MM)	4.5/114.3
CATHODE MATERIAL (INTERNAL/EXTERNAL)	Aluminum
EFFECTIVE DIAMETER (INCH/MM)	1.88/47.8
CONNECTOR	MHV
OPERATING TEMPERATURE RANGE °C	-40 to +75
GAS PRESSURE (TORR)	800
PATH LENGTH (INCH/MM)	1.88/47.8

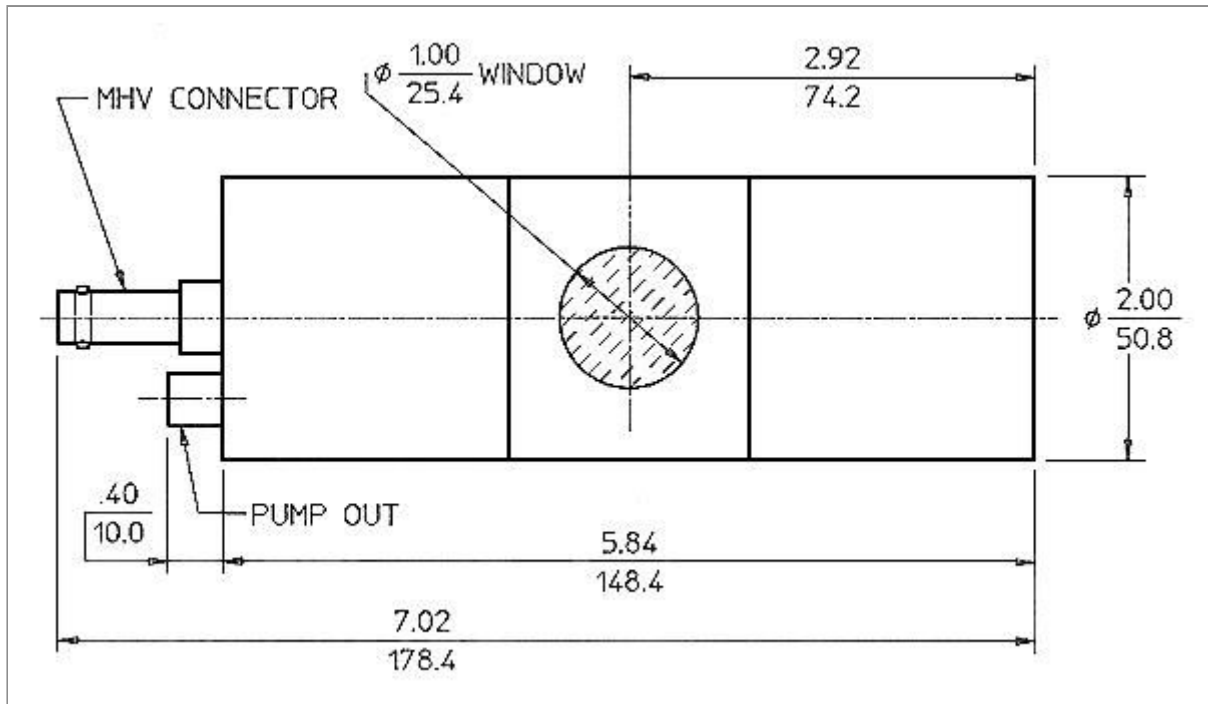
WINDOW SPECIFICATIONS

MATERIAL	Beryllium
-----------------	-----------

THICKNESS (INCH/MM)	0.002/0.05
AREAL DENSITY (MG/CM ²)	9.2
DIAMETER (INCH/MM)	1.0/25.4

ELECTRICAL SPECIFICATIONS

RECOMMENDED OPERATING VOLTAGE (VOLTS)	1800
OPERATING VOLTAGE RANGE (VOLTS)	1700 - 2000
CAPACITANCE (PF)	3
TYPICAL RESOLUTION (FWHM FE55)	20



LND 451 BERYLLIUM SIDE WINDOW P.C.

