

42511

Quadrilateral side window proportional counter

GENERAL SPECIFICATIONS

MAXIMUM LENGTH (INCH/MM)	7.4/187.96
GAS FILLING	Argon
EFFECTIVE LENGTH (INCH/MM)	4.75/120.65
CATHODE MATERIAL (INTERNAL/EXTERNAL)	Aluminum
CONNECTOR	MHV
OPERATING TEMPERATURE RANGE °C	-40 to +75
MAXIMUM WIDTH (INCH/MM)	2.0/50.8
GAS PRESSURE (TORR)	760
EFFECTIVE WIDTH (INCH/MM)	1.75/44.45
PATH LENGTH (INCH/MM)	1.75/44.45

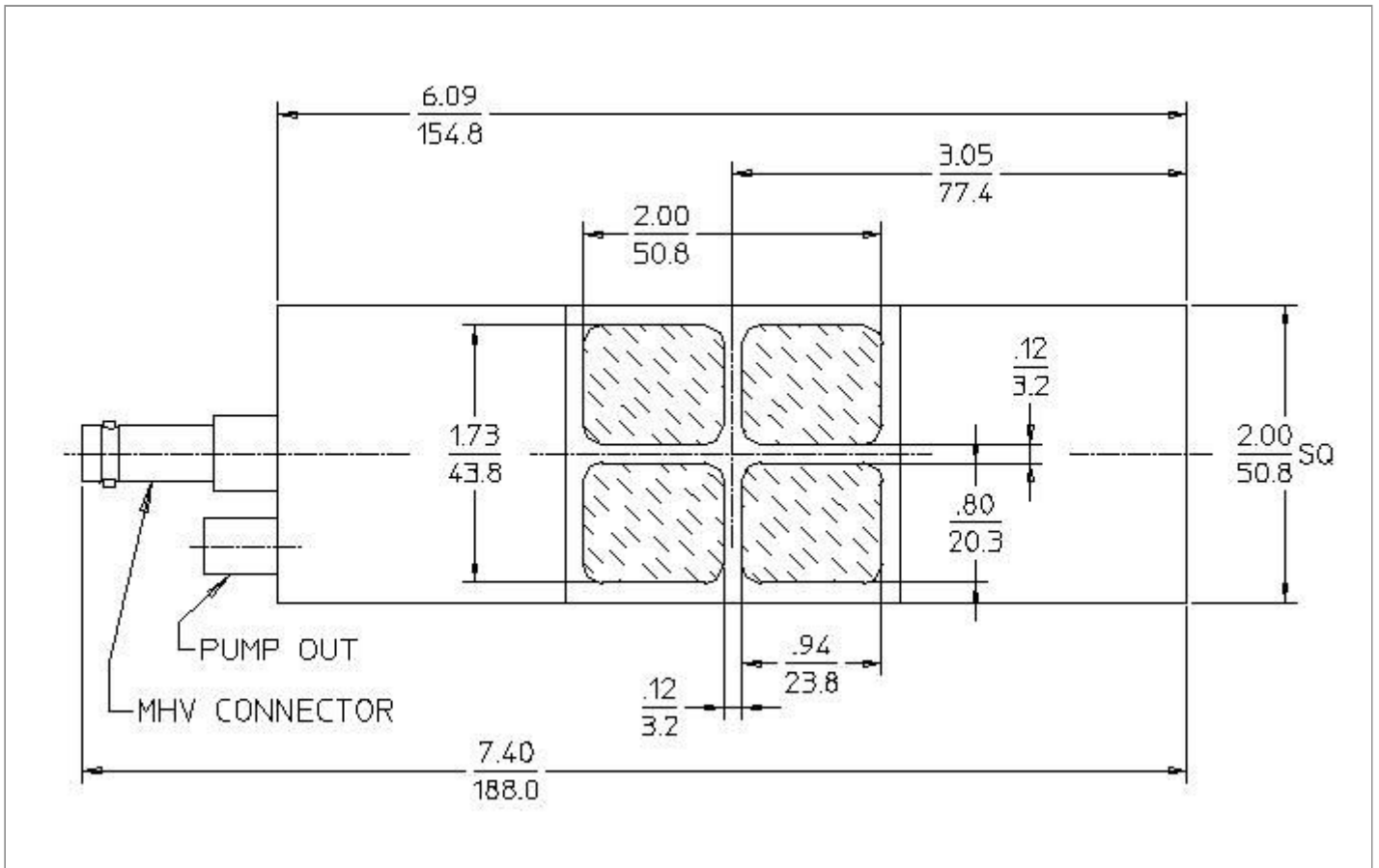
WINDOW SPECIFICATIONS

MATERIAL	Beryllium
-----------------	-----------

THICKNESS (INCH/MM)	0.005/0.127
AREAL DENSITY (MG/CM ²)	22.8
DIMENSIONS (INCH/MM)	2.0 x 1.73/50.8 x 43.8

ELECTRICAL SPECIFICATIONS

RECOMMENDED OPERATING VOLTAGE (VOLTS)	1800
OPERATING VOLTAGE RANGE (VOLTS)	1700 - 1950
CAPACITANCE (PF)	3
TYPICAL RESOLUTION (FWHM FE55)	18



LND 42511 QUADRILATERAL SIDE WINDOW P.C.

