

424

Quadrilateral side window proportional counter

GENERAL SPECIFICATIONS

MAXIMUM LENGTH (INCH/MM)	4.31/109.47
GAS FILLING	Argon
EFFECTIVE LENGTH (INCH/MM)	2.0/50.8
CATHODE MATERIAL (INTERNAL/EXTERNAL)	Aluminum
CONNECTOR	MHV
OPERATING TEMPERATURE RANGE °C	-40 to +75
MAXIMUM WIDTH (INCH/MM)	1.0/25.4
GAS PRESSURE (TORR)	800
EFFECTIVE WIDTH (INCH/MM)	0.75/19.05
PATH LENGTH (INCH/MM)	0.75/19.05

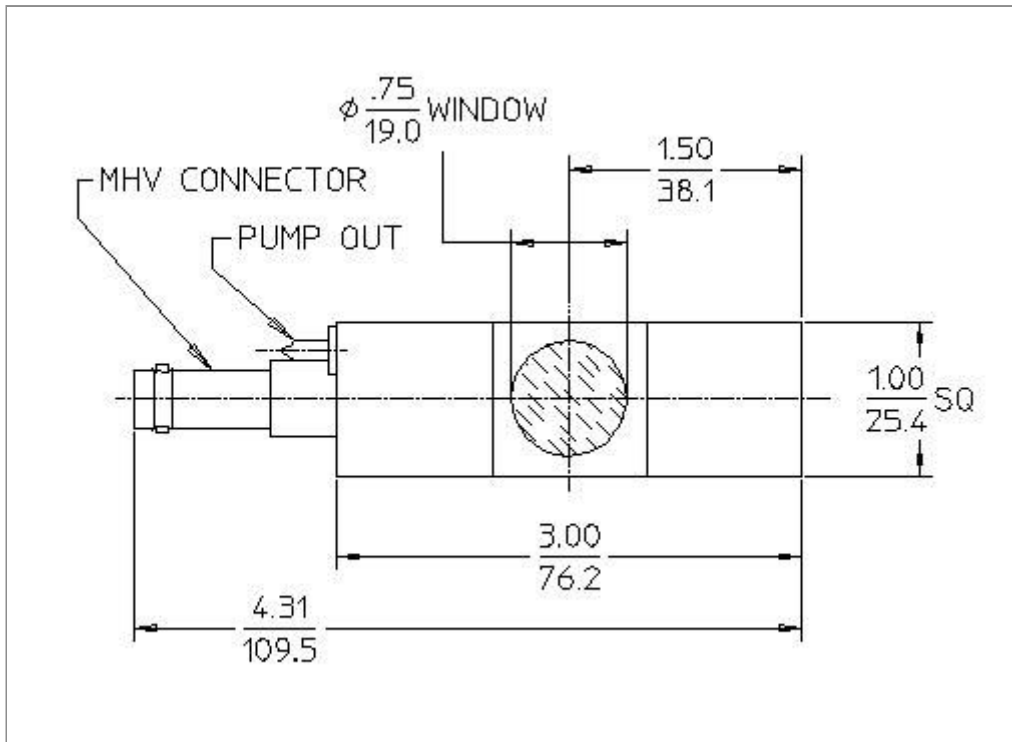
WINDOW SPECIFICATIONS

MATERIAL	Beryllium
-----------------	-----------

THICKNESS (INCH/MM)	0.002/0.05
AREAL DENSITY (MG/CM ²)	9.2
DIAMETER (INCH/MM)	0.75/19.05

ELECTRICAL SPECIFICATIONS

RECOMMENDED OPERATING VOLTAGE (VOLTS)	1550
OPERATING VOLTAGE RANGE (VOLTS)	1450-1700
CAPACITANCE (PF)	3
TYPICAL RESOLUTION (FWHM FE55)	18



LND 424 QUADRILATERAL SIDE WINDOW P.C.

