

42231

Quadrilateral side window proportional counter

GENERAL SPECIFICATIONS

MAXIMUM LENGTH (INCH/MM)	2.47/62.74
GAS FILLING	Argon
EFFECTIVE LENGTH (INCH/MM)	2.09/53.09
CATHODE MATERIAL (INTERNAL/EXTERNAL)	Aluminum
CONNECTOR	Pin
OPERATING TEMPERATURE RANGE °C	-40 to +75
MAXIMUM WIDTH (INCH/MM)	1.42/36.07
GAS PRESSURE (TORR)	800
EFFECTIVE WIDTH (INCH/MM)	1.34/34.04
PATH LENGTH (INCH/MM)	1.26/32.0

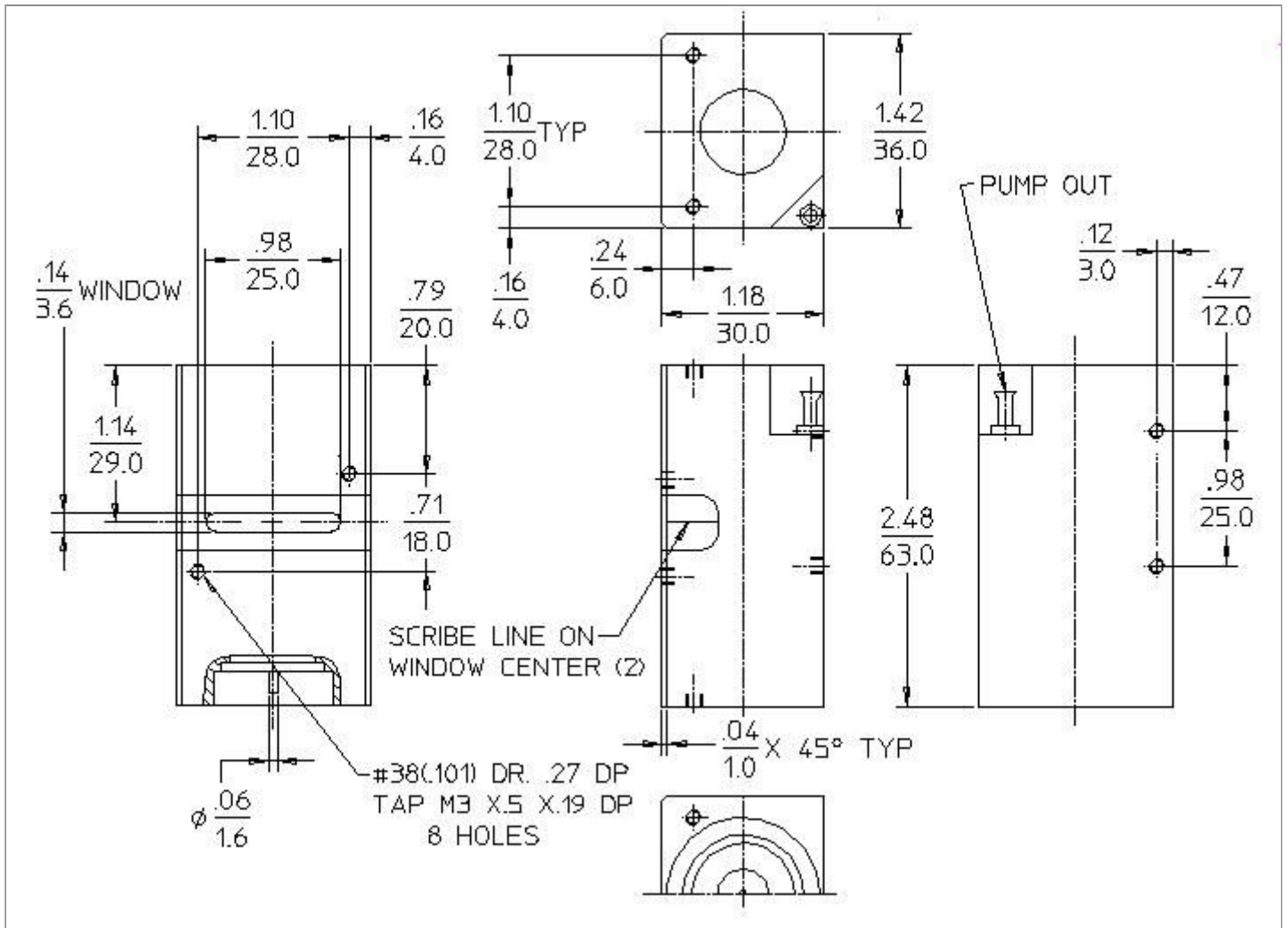
WINDOW SPECIFICATIONS

MATERIAL	Beryllium
-----------------	-----------

THICKNESS (INCH/MM)	0.001/0.0254
AREAL DENSITY (MG/CM ²)	4.6
DIMENSIONS (INCH/MM)	0.14 x 0.98/3.5 x 25.0

ELECTRICAL SPECIFICATIONS

RECOMMENDED OPERATING VOLTAGE (VOLTS)	1800
OPERATING VOLTAGE RANGE (VOLTS)	1600 - 1900
CAPACITANCE (PF)	3
TYPICAL RESOLUTION (FWHM FE55)	18



LND 42231 QUADRILATERAL SIDE WINDOW P.C.

