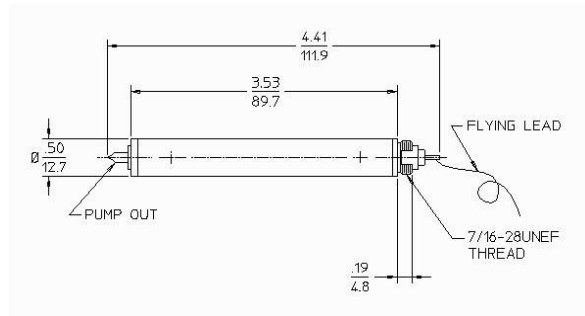


25169

Cylindrical He3 neutron detector



GENERAL SPECIFICATIONS

CATHODE MATERIAL (INTERNAL/EXTERNAL)	Stainless Steel
MAXIMUM LENGTH (INCH/MM)	4.41/111.9
EFFECTIVE LENGTH (INCH/MM)	2.50/63.5
MAXIMUM DIAMETER (INCH/MM)	0.5/12.7
CONNECTOR	Flying Lead
OPERATING TEMPERATURE RANGE °C	-40 to +100
EFFECTIVE DIAMETER (INCH/MM)	0.45/11.4

ELECTRICAL SPECIFICATIONS

WEIGHT (GRAMS)	38
RECOMMENDED OPERATING VOLTAGE (VOLTS)	1000

OPERATING VOLTAGE RANGE (VOLTS)	900 - 1150
MAXIMUM PLATEAU SLOPE (%/100 VOLTS)	1